

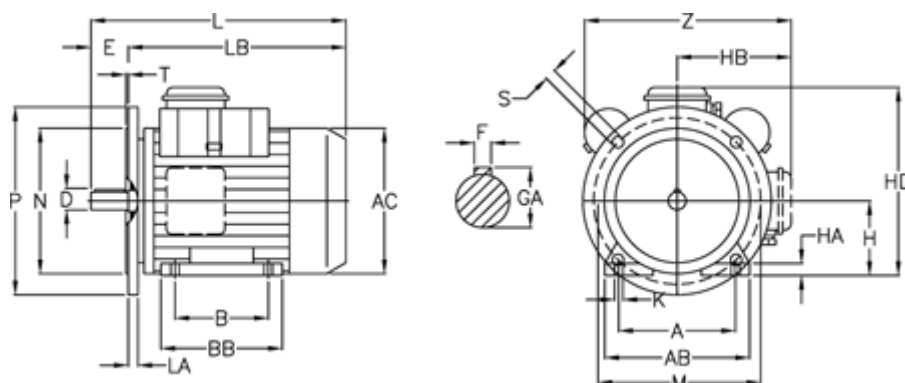
# Data Sheet



Article number: 25055467002

Description: ICME Single-phase motor MD80 B4 0,55KW  
4 - 1400 rpm 1x230 Volt 50Hz B3/B5 with starting & running capacitor

## Measures



|           |          |          |
|-----------|----------|----------|
| A = 125   | H = 80   | N = 130  |
| AB = 155  | HA = 13  | P = 200  |
| AC = 156  | HB = 122 | S = 11.5 |
| B = 100   | K = 9    | T = 3.5  |
| D = 19    | L = 305  | Z = 230  |
| E = 40    | LA = 12  |          |
| F = 6     | LB = 265 |          |
| GA = 21.5 | M = 165  |          |